

Magnetoresistive Random Access Memory (MRAM)

Secure your critical data with **e2v's Hi-Rel MRAM**

Technology

Magnetoresistive Random Access Memory (MRAM) is a technology that provides a unique combination of fast read and write cycle times with non-volatility and unlimited endurance. The technology protects data in the event of power loss and does not require periodic refreshing

The EV2A16A (the first product born from the recent alliance between e2v and Freescale on MRAMs) is the ideal memory solution for applications that must permanently store and retrieve critical data quickly. It perfectly suits the requirements of critical embedded applications such as avionic, defence and aerospace environments

Typical Applications

- Defence: Radar, ECM, Field Communication, Electronic warfare
- Aerospace: Flight Computers, Displays, Engine Control
- Industrial: "Down-hole" or "Under-the hood" computers

e2v



クロニクス株式会社 〒163-0913 東京都新宿区西新宿2-3-1 新宿モリスビル 13階 Tel.03-5322-7191代 Fax.03-5322-7790
Shinjuku MONOLITH 13F D,2-3-1 Nishishinjuku, Shinjuku-ku, Tokyo 163-0913 JAPAN Tel.81-3-5322-7191 Fax.81-3-5322-7790



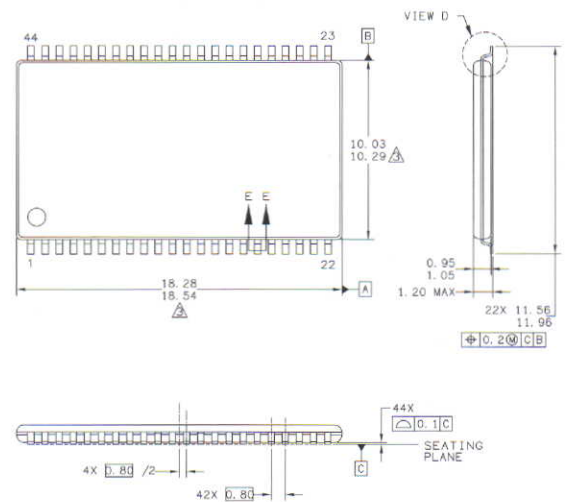
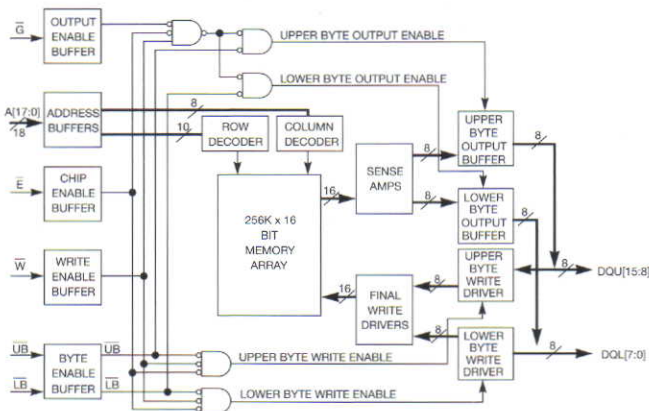
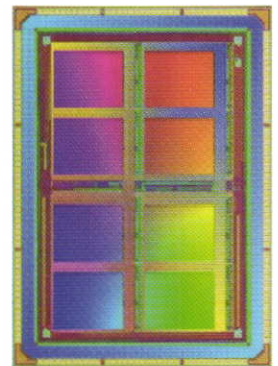
The Combination of non-volatility and speed is key for applications that must permanently store and retrieve critical data quickly. MRAM has been identified as a strategic choice for the benefit of customers in the aerospace and defence sector.

e2v MRAM Key Features

- Package: 44-lead TSOP type-II, SRAM pin out compatible
- Industrial temperature range (-40°C to 110°C) and Military temperature range (-55°C to 125°C)
- Single 3.3V power supply
- Symmetrical read and write cycles with fast access time (35 ns)
- Flexible data bus control: 8 bit or 16 bit access
- Full non-volatile operation

e2v MRAM benefits

- Non-volatile with virtually unlimited read-write endurance
- High performance – 35 ns read and write cycles
- Reliable operation across military temperature range
- Small size and scalable for future technologies



44 LEAD TSOP, TYPE II, .400 WIDE

www.e2v.com © copyright e2v technologies 2008

Sales offices

Northern Europe e2v ltd

106 Waterhouse Lane
Chelmsford - Essex CM1 2QU
England
T +44 (0)1245 493 493
F +44 (0)1245 492 492
enquiries@e2v.com

Southern Europe e2v sas

16 Burospace
91572 Bièvres Cedex
France
T +33 (0)1 60 19 55 00
F +33 (0)1 60 19 55 29
enquiries-fr@e2v.com

Germany & Austria e2v gmbh

Industriestraße 29
82194 Gröbenzell
Germany
T +49 (0)8142 410 570
F +49 (0)8142 284 547
enquiries-de@e2v.com

Americas e2v inc

4 Westchester Plaza
Elmsford - NY 10523-1482
USA
T +1 (914) 592 6050
F +1 (914) 592 5148
enquiries-na@e2v.com

Asia Pacific e2v ltd

11/F. Onfem Tower
29 Wyndham Street, Central
Hong Kong
T +852 3679 364 8/9
F +852 3583 1084
enquiries-ap@e2v.com

Product Contact

e2v sas

Avenue de Rochepleine - BP 123
38521 Saint-Egrève Cedex
France
T +33 (0)4 76 58 30 00
F +33 (0)4 76 58 34 80
std-hotline@e2v.com

